



Office of Assessments, Analytics, and Accountability

LEAP Assessment Guide for Grade 6 Science

Purpose.....	1
Assessment Design.....	2
Reporting Categories.....	4
Test Administration.....	6
Sample Test Items	8
Resources.....	28
Updates Log	29

Purpose

This document is designed to assist Louisiana educators in understanding the LEAP Grade 6 Science assessment.

Introduction

All students in grades 3-8 and Biology will take the LEAP science assessments, which provide

- questions that have been [reviewed by Louisiana educators](#) to ensure their alignment to the [Louisiana Student Standards for Science](#) and appropriateness for all Louisiana students;
- measurement of the full range of student performance; and
- information for educators and parents about student readiness in science and whether students are “on track” for college and careers.

Vision for Science Standards and Assessment

The [Louisiana Student Standards for Science \(LSS for Science\)](#) provide appropriate content for all grades or courses, maintain high expectations, create a logical connection of content across and within grades, represent the knowledge and skills students need to successfully transition to postsecondary education and the workplace, and call for students to apply content knowledge; investigate, evaluate, and reason scientifically; and connect ideas across disciplines.

Assessment Design

Supporting Science Instruction

The LEAP tests will assess students' understanding of the [LSS for Science](#), reflecting the multiple dimensions of the standards.

Apply content knowledge and skills (Disciplinary Core Idea, DCI)

In the classroom, students develop skills and content knowledge reflected in the Performance Expectations (PE) and detailed in the Disciplinary Core Ideas (DCI), the key skills and knowledge students are expected to master by the end of the course.

On the LEAP test, students answer questions which require content knowledge and skills aligned to PE bundles (groupings of PEs) and the corresponding DCIs.

Investigate, evaluate, and reason scientifically (Science and Engineering Practice, SEP)

In the classroom, students do more than learn about science; they “do” science. Simply having content knowledge and scientific skills are not enough; students must investigate and apply content knowledge to scientific phenomena. Phenomena are real world observations that can be explained through scientific knowledge and reasoning (e.g., water droplets form on the outside of a water glass, plants tend to grow toward their light source, different layers of rock can be seen on the side of the road). Science instruction must integrate the practices, or behaviors, of scientists and engineers as students investigate real-world phenomena and design solutions to problems.

On the LEAP test, students do more than answer recall questions about science; they apply the practices, or behaviors, of scientists and engineers to investigate each real-world phenomenon and design solutions to problems.

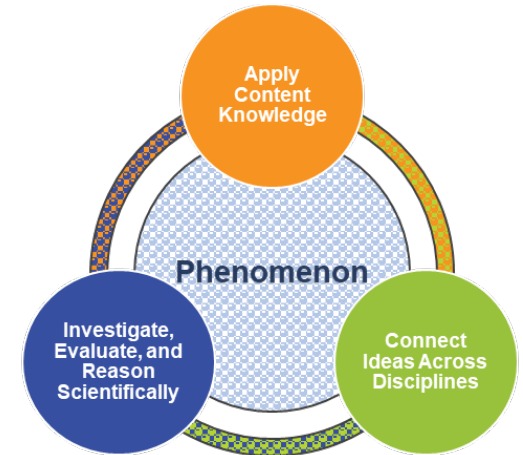
Connect ideas across disciplines (Crosscutting Concept, CCC)

In the classroom, students develop a coherent and scientifically-based view of the world; they must make connections across the domains of science (life science, physical science, earth and space science, environmental science, and engineering, technology, and applications of science). These connections are identified as crosscutting concepts (CCC).

On the LEAP test, sets of questions assess student application of knowledge across the domains of science for a comprehensive picture of student readiness for their next grade or course in science.

Set Based Design

The tests include item sets, task sets, and standalone items. A scientific **phenomenon** provides the anchor for each set or standalone item. Stimulus materials, related to the scientific phenomenon, provide context and focus for sets. A variety of stimulus materials provide context for each described phenomenon. Art is used to help convey information in a simplified form; examples include maps, charts, data



tables, bar or line graphs, diagrams, pictures, photographs, or artist’s renderings. In addition to the information presented in the stimulus materials, the questions require students to bring in content knowledge from the course to demonstrate their understanding of science. Some **item sets** culminate with a short constructed-response and the **task** culminates with an extended-response item. Each test includes a few **standalone items**, which are not part of an item set or task.

Item Types

- **Selected Response (SR):** includes traditional multiple-choice ([MC](#)) questions with four answer options and only one correct answer, as well as multiple-select ([MS](#)) questions with five answer options and more than one correct answer. For MS items, the question identifies the number of correct answers, unless it is part of a Two-part Dependent (TPD). In a TPD, the question in Part B will then be worded to “select all that apply.” All SR items are worth one point each.
- [Technology Enhanced \(TE\)](#): uses technology to capture student comprehension in authentic ways, previously difficult to score by machine for large-scale assessments. TE items are worth up to two points and may include item types such as, but not limited to, drag and drop, dropdown menus, and hot spots. The Online Tools Training allows students to experience TE items and practice answering them to prepare for the computer-based test.
- Two-part item: requires students to answer two related questions, worth two points. Two-part items may combine SR and TE item types.
 - [Two-part Dependent \(TPD\)](#): the first part must be correct in order to earn credit for the second part.
 - [Two-part Independent \(TPI\)](#): each part is scored independently.
- [Constructed Response \(CR\)](#): requires a brief response provided by the student and will be scored using a 2-point rubric. These items may require a brief paragraph, a few sentences, and/or completion of a chart.
- [Extended Response \(ER\)](#): asks students to write a response that expresses the students’ ability to apply all three dimensions of the LSS for Science and will be scored using a 9-point rubric.

Test Design

Beginning with the 2024-2025 test administration for LEAP science grades 5-8, the Department will revert back to embedding field test items across three operational test sessions, similar to the original designs administered in 2018-2019 and 2020-2021. Having a separate field test session for grades 5-8 in 2021-2022 through 2023-2024 has had the following negative impacts:

- Due to population diversity, larger systems are carrying the full burden of the field testing and there is a lack of representation from smaller systems;
- Separating the session significantly lowers tester and administrator motivation to complete the items with full effort because the items “do not count” in the performance scores;
- Questionable reliability of field test data has resulted in unusable items and has significantly limited the growth of the science test item bank for grades 5-8.

The LEAP grade 6 science assessment contains 5 item sets, 1 task, and 12 standalone items. The test will contain embedded field-test questions (one item set or task set and four standalone items). The field-test questions do not count toward a student’s final score on the test and may be placed in any session; they provide information that will be used to develop future test forms. All LEAP tests are timed.

Test Session	Component	Points	Time Allowed
Session 1	3 Item Sets	18	65 minutes
	3 Standalone Items	4	
Session 2	1 Task	15	65 minutes
	1 Item Set	6	
	3 Standalone Items	4	
Session 3	1 Item Set	6	65 minutes
	6 Standalone Items	8	
Total Operational	5 Item Sets, 1 Task, 12 Standalones	61	195 minutes

Reporting Categories

All Louisiana Student Standards for Science are eligible for assessment. The LEAP science assessments examine students’ performance of scientific and engineering practices (SEPs) in the context of disciplinary core ideas (DCIs) and crosscutting concepts (CCCs). Although these SEPs are described separately, they generally function in concert. This overlap of SEPs means that assessment items must be designed around a bundle of related performance expectations (PEs) and not tested in isolation from one another. The task set, which contains the extended-response question, may assess any of the LSS for science from year to year. The extended-response question is reported in the overall score, but not as part of any reporting category.

The table below shows the reporting category titles and descriptions as well as the PEs associated with each reporting category.

Reporting Category	Description	Content
Investigate	Ask Questions, Define Problems, and Plan Investigations	6-MS-PS2-2, 6-MS-PS2-3, 6-MS-PS2-5, 6-MS-LS1-1
Evaluate	Analyze and Interpret Data, Use Mathematics and Computational Thinking, and Engage in Argument from Evidence	6-MS-PS2-4, 6-MS-PS3-1, 6-MS-PS4-1, 6-MS-ESS1-3, 6-MS-ESS3-4, 6-MS-LS2-1

October 2024

Louisiana Department of Education

doe.louisiana.gov | P.O. Box 94064 • Baton Rouge, LA • 70804-9064

Reporting Category	Description	Content
Reason Scientifically	Develop and Use Models, Construct Explanations, and Design Solutions	6-MS-PS1-1, 6-MS-PS2-1, 6-MS-PS3-2, 6-MS-PS4-2, 6-MS-ESS1-1, 6-MS-ESS1-2, 6-MS-LS1-2, 6-MS-LS2-2, 6-MS-LS2-3

Achievement-Level Definitions

Achievement-level definitions briefly describe the expectations for student performance at each of Louisiana’s five achievement levels:

- **Advanced:** Students performing at this level have **exceeded** college and career readiness expectations and are well prepared for the next level of study in this content area.
- **Mastery:** Students performing at this level have **met** college and career readiness expectations and are prepared for the next level of study in this content area.
- **Basic:** Students performing at this level have **nearly met** college and career readiness expectations and may need additional support to be fully prepared for the next level of study in this content area.
- **Approaching Basic:** Students performing at this level have **partially met** college and career readiness expectations and will need much support to be prepared for the next level of study in this content area.
- **Unsatisfactory:** Students performing at this level have **not yet met** the college and career readiness expectations and will need extensive support to be prepared for the next level of study in this content area.

Achievement Level Descriptors

[Achievement Level Descriptors \(ALDs\)](#) indicate what a typical student at each level should be able to demonstrate based on his or her command of grade-level standards. ALDs are written for the three assessment reporting categories. Access the ALDs in the [Assessment](#) library for a breakdown of the knowledge, skills, and practices associated with each achievement level.

Test Administration

Administration Information

The testing window opens **April 2, 2025, and runs through May 14, 2025 for all computer-based tests**. The school or district test coordinator will communicate each school's testing schedule. For updates to the testing schedule, refer to the [2024-2025 Louisiana Assessment Calendar](#). All LEAP assessments are timed. No additional time is permitted, except for students who have a documented extended time accommodation (e.g., an IEP).

Scheduling Requirements for Computer-Based Testing

Computer-based testing allows school systems some flexibility in scheduling. However, to reduce incidences of testing irregularities, school systems **must** adhere to the following scheduling and administration practices:

- Testing students in the same grade level across the school at or very close to the same time
- Completing makeup testing for students immediately upon their return
- Limiting student interaction during breaks between test sessions
- Isolating students who have not completed testing for the day (e.g., students with extended time accommodation)
- Preventing interaction between groups of students taking the same tests at different times within a testing day
- Requiring the completion of a session once it is opened (i.e., limiting the reopening of test sessions)
- Taking the sessions within a content area in the correct order (e.g., Math Session 1 taken before Math Session 2)

The following is also recommended:

- Limiting sessions to no more than three in one day for a student.

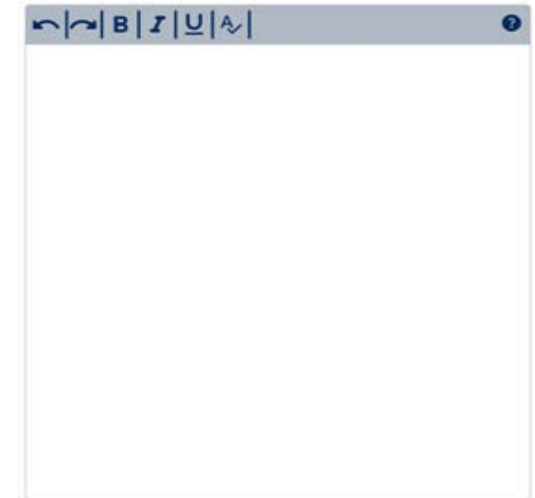
For more information about scheduling and administration policies, refer to the [Online Assessment Scheduling Guidance](#), found in the LDOE [Assessment](#) library.

Testing Materials

All students should receive scratch paper and two pencils from their test administrator.

Testing Platform

Students will enter their answers into the online testing system. When composing their written responses, students will type their responses into an answer box, like the one shown. The toolbar at the top of the response box allows students to undo or redo an action; and add boldface, italics, or underlining to their response. There is a limit to the amount of characters that can be typed into the response box; however, it is set well beyond what a student might produce given the LEAP expectations for written responses and timing. The character count is not included on the response box so students focus on the quality of their responses rather than the amount of writing.



The computer-based tests include the following online tools, which allow a student to select answer choices, “mark” items, eliminate answer options, highlight text, take notes, enlarge the item, apply a mask to cover a part of the screen, and guide the reading of a text or an item line by line. A help tool is also featured to assist students as they use the online system.

- Pointer



- Highlighter



- Sticky note



- Masking



- Cross-off



- Magnifier



- Line guide



- Help



All students taking the computer-based test should work through the [Online Tools Training](#), using the online tools so students are well prepared to navigate the online testing system.

Sample Test Items

This section includes sample test items. With each item, item set, and task is a table containing alignment information and the answer key, where possible. Additionally, analyses of the multi-dimensional alignment for the item set and the task are included. Rubrics for CRs and ERs are included with the items.

Standalone Items

Item Type	PE	DCI	SEP	CCC	Points
TEI	6-MS-PS4-1	MS.PS4A.a	5. MCT	PAT	2
MC	6-MS-PS2-4	MS.PS2B.b	7. ARG		1
TPD	6-MS-LS2-2	MS.LS2A.d	6. E/S		2
MC	6-MS-LS2-1	MS.LS2A.c	4. DATA		1
TEI	6-MS-PS2-3	MS.PS2B.a	1. Q/P		1

SEP = blue; DCI = orange; CCC = green An asterisk (*) denotes correct answer(s).

Technology-Enhanced Item

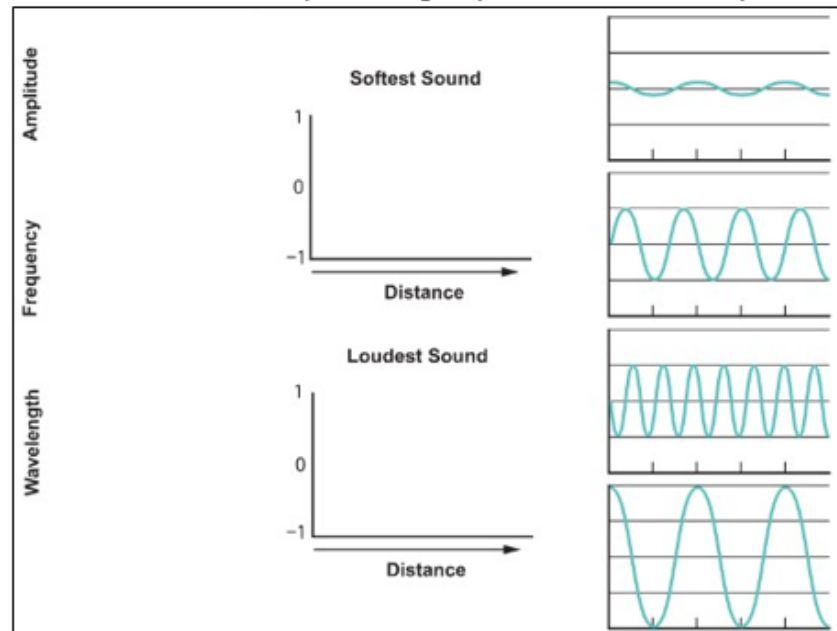
Performance Expectation: 6-MS-PS4-1 Use mathematical representations to describe a simple model for waves that includes how the amplitude of a wave is related to the energy in a wave and how the frequency and wavelength change the expression of the wave.

A student makes a simple musical instrument using a single hollow steel pipe. The student taps the pipe to produce soft sounds and taps it again to make loud sounds.

Identify the graphs that **best** represent the softest sound and the loudest sound produced, and label the y-axis on each graph, by following these two steps:

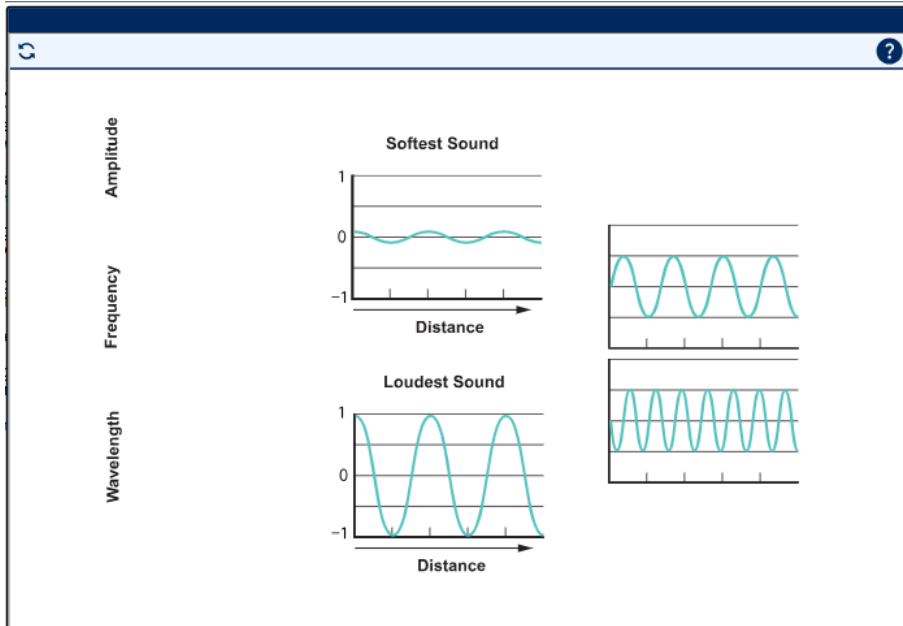
Step 1: Drag the correct images from the right-hand side of the screen into **each** of the spaces above the arrows labeled "Distance" to show the difference between the softest sound and the loudest sound produced when the student taps the pipe. Not all graphs will be used.

Step 2: Drag the correct labels from the left-hand side of the screen into **each** of the spaces along the y-axis to show what the y-axis in each graph represents. Each label may be used more than once.



Multi-Dimensional Alignment: The item requires the student to apply the science practice of [using mathematics and computational thinking](#) by [using mathematical representations to describe phenomena](#) and knowledge of [how waves have a repeating pattern with a specific wavelength, frequency, and amplitude](#) to demonstrate an understanding of [patterns](#).

Scoring Information



Multiple-Choice Item

Performance Expectation: 6-MS-PS2-4 Construct and present arguments using evidence to support the claim that gravitational interactions are attractive and depend on the masses of interacting objects.

A student claims that all objects exert a gravitational force on one another. However, it is difficult to observe the effect of the force of gravity unless the mass of one of the objects is very large.

Which observation **best** supports the student's argument?

- A. The Moon stays in orbit around Earth.*
- B. Earth spins on its axis at a constant speed.
- C. The masses of the Moon and Earth are constant.
- D. The solar system has moons of different masses.

Multi-Dimensional Alignment: While effectively applying the science practice of **engaging in an argument** by **selecting evidence to support an explanation**, the student demonstrates knowledge of **how gravitational forces are always attractive and the gravitational force between any two masses is very small except when one or both objects have large mass.**

October 2024

Louisiana Department of Education

doe.louisiana.gov | P.O. Box 94064 • Baton Rouge, LA • 70804-9064

Two-Part Dependent Item (Part A: Multiple-Choice Item, Part B: Multiple-Select Item)

Performance Expectation: **6-MS-LS2-2** Construct an explanation that predicts patterns of interactions among organisms across multiple ecosystems.

Lichens are made up of two tiny living things: fungi and algae. The fungi and the algae live close together, giving a lichen the appearance that it is a single organism. Algae produce food through photosynthesis, and the fungi gather water. In this way, lichens can survive harsh weather that would kill a fungus or an alga growing on its own. Lichens can grow on sand, trees, and even rocks, but they are very sensitive to pollution sources and are seldom observed near factories or roads.

Part A

Which type of relationship is **best** represented by fungi and algae in a lichen?

- A. parasitic
- B. symbiotic*
- C. predator-prey
- D. competitive

Part B

Which statements are evidence that supports the answer to Part A?

Select **all** that apply.

- A. Lichens are sensitive to pollution.
- B. Algae can live on their own, but fungi cannot.
- C. Fungi and algae are different types of organisms.
- D. Algae produce food, but fungi do not.*
- E. Fungi and algae have different ways of using energy.
- F. Fungi gather water much better than algae do.*

Multi-Dimensional Alignment: While effectively applying the science practice of **constructing an explanation** by **selecting qualitative relationships to explain phenomena**, the student demonstrates knowledge of **how mutually beneficial interaction may become so interdependent that each organism requires the other for survival**.

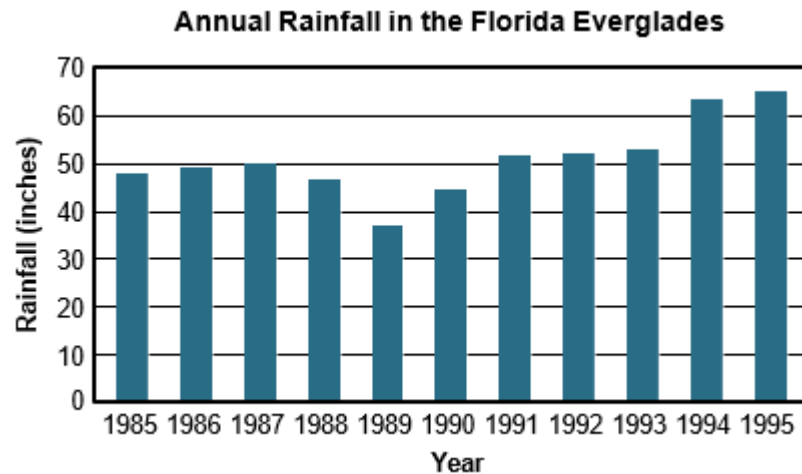
Multiple-Choice Item

Performance Expectation: **6-MS-LS2-1** Analyze and interpret data to provide evidence for the effects of resource availability on organisms and populations of organisms in an ecosystem.

Alligators depend on water resources in their environments in many different ways, three of which are listed.

- Nesting sites
- Habitat/space to live
- Food supply

The graph shows annual rainfall in the Florida Everglades.



Which claim is **best** supported by the data in the graph and by the information on how alligators depend on water resources?

- A. From 1990 to 1995, the alligator population increased due to an increase in nesting sites, food supply, and habitat.*
- B. From 1990 to 1995, the alligator population increased due to an increase in nesting sites and a decrease in food supply.
- C. From 1985 to 1995, the alligator population remained the same, but individual alligators had increased ranges within their habitats.
- D. From 1985 to 1995, the alligator population remained the same, but individual alligators grew larger due to increased food supply and habitat.

Multi-Dimensional Alignment: While effectively applying the science practice of **analyzing and interpreting data** by **interpreting data to provide evidence for a phenomenon**, the student demonstrates knowledge of **how population increases are limited by access to resources**.

Technology-Enhanced Item

Performance Expectation: 6-MS-PS2-3 Ask questions about data to determine the factors that affect the strength of electric and magnetic forces.

Students designed two experiments to study questions about electric current and magnetic fields. The students drew pictures of their experiments. Which question is each experiment **most likely** designed to answer?

For each experimental design drawing, drag a question that the students could answer with that design into the box beside the drawing. Not all questions will be used.

Which is the north pole of an electromagnet?

Can a changing magnetic field cause electric current to flow?

What is the effect of the size of the nail on the strength of the magnet?

What is the direction of the magnetic field around a current-carrying wire?

Drawing

battery compass

battery compass

Select to R

Which is the north pole of an electromagnet?

What is the effect of the size of the nail on the strength of the magnet?

Can a changing magnetic field cause electric current to flow?

What is the direction of the magnetic field around a current-carrying wire?

Do the north poles of two electromagnets repel or attract each other?

Does the amount of electric current flowing through the wire determine the strength of the magnetic field?

Drawing	Question
<p>battery compass</p>	
<p>battery compass</p>	

Multi-Dimensional Alignment: While effectively applying the science practice of asking questions by selecting questions that can be investigated, the student demonstrates knowledge of how electric and magnetic (electromagnetic) forces can be attractive and depend on the charges, magnitudes, current, or magnetic strengths between two interacting objects.

Scoring Information

Can a changing magnetic field cause electric current to flow?

Do the north poles of two electromagnets repel or attract each other?

What is the effect of the size of the nail on the strength of the magnet?

Does the amount of electric current flowing through the wire determine the strength of the magnetic field?

Drawing	Question
 battery compass	Which is the north pole of an electromagnet?
 battery compass	What is the direction of the magnetic field around a current-carrying wire?

Item Set: Eclipses

Performance Expectations:

6-MS-ESS1-1 Develop and use a model of the Earth-sun-moon system to describe the reoccurring patterns of lunar phases, eclipses of the sun and moon, and seasons.

6-MS-ESS1-2 Use a model to describe the role of gravity in the motions within galaxies and the solar system.

Item Type	PE	DCI	SEP	CCC	Points
TPI	6-MS-ESS1-2	MS.ESS1B.a	2. MOD	SYS	2
TEI	6-MS-ESS1-1	MS.ESS1A.a; MS.ESS1B.b	2. MOD		1
MC	6-MS-ESS1-1	MS.ESS1A.a	2. MOD	PAT	1
CR	6-MS-ESS1-1	MS.ESS1A.a; MS.ESS1B.b	2. MOD	PAT	2

SEP = blue; DCI = orange; CCC = green An asterisk (*) denotes correct answer(s).

October 2024

Louisiana Department of Education

doe.louisiana.gov | P.O. Box 94064 • Baton Rouge, LA • 70804-9064

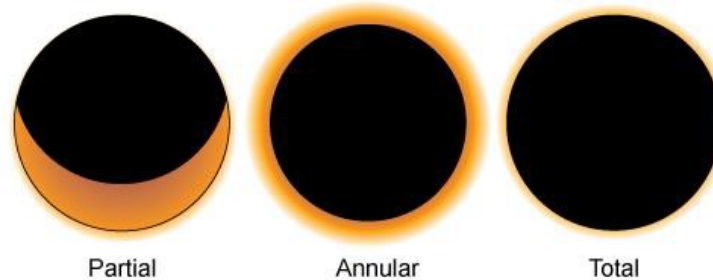
Stimulus Materials

Use the information about eclipses and your knowledge of science to answer the question.

Eclipses

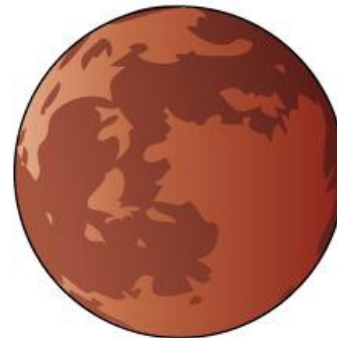
The orbits of Earth and the Moon around the Sun follow elliptical paths that sometimes result in different types of eclipses. During a solar eclipse, people in certain locations on Earth can view changes in the appearance of the Sun. The changes depend on whether the solar eclipse is partial, annular, or total. An annular solar eclipse has a visible ring of light around its shadow. The three different types of solar eclipses are shown in Figure 1.

Figure 1. Types of Solar Eclipses



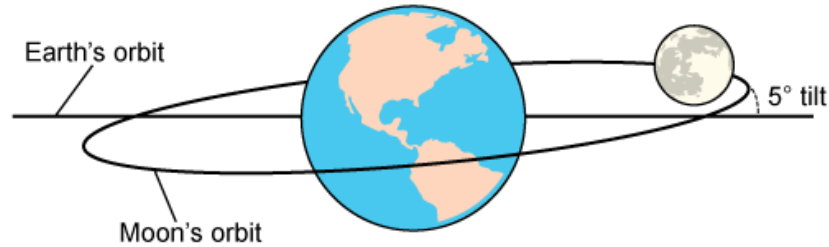
During a lunar eclipse, people on the night side of Earth can view changes in the appearance of the Moon. In a total lunar eclipse, the Moon appears to have a reddish-orange color before turning dark, as shown in Figure 2.

Figure 2. Appearance of the Moon during a Lunar Eclipse



Solar and lunar eclipses occur, on average, a few times per year. They do not occur every month because the orbit of the Moon is tilted about 5 degrees, compared to Earth's orbit, as shown in the model in Figure 3. As a result, Earth, the Moon, and the Sun rarely line up exactly.

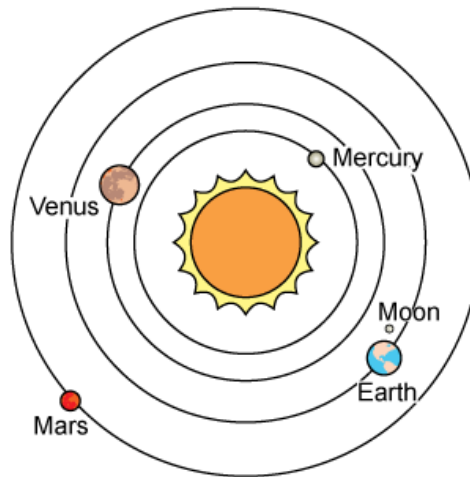
Figure 3. Tilt of the Moon's Orbit around Earth



Note: Not to scale

The Earth–Moon system orbits the Sun in the inner solar system. A model of the inner solar system is shown in Figure 4.

Figure 4. The Inner Solar System



Note: Not to scale

Two-Part Independent Item (Part A: Multiple-Choice Item, Part B: Multiple-Select Item)

Part A

Which statement **best** explains what the orbits in Figure 4 show about the role of gravity in the motions of the Earth–Moon system?

- A. The force of gravity between Earth and the Moon causes the Moon to orbit Earth while the Earth–Moon system orbits the Sun.*
- B. The force of gravity between the Moon and the Sun causes the Moon to orbit Earth while the Earth–Moon system orbits the Sun.
- C. The force of gravity acts separately between Earth and the Sun and between the Moon and the Sun to cause the motions of the Earth–Moon system.
- D. The forces of gravity between Earth and the Sun and between the Moon and the Sun are equal and do not affect the motions of the Earth–Moon system.

Part B

Which factors affect the motion of the Earth–Moon system and therefore affect the timing of solar and lunar eclipses?

Select the **two** correct answers.

- A. the color of the Moon
- B. the tilt of the Moon’s orbit*
- C. the distance between Earth and the Moon*
- D. the amount of sunlight emitted by the Sun
- E. the amount of sunlight reflected by the Moon

Multi-Dimensional Alignment: The item requires the student to apply the science practice of **developing and using models** by **using models to describe phenomena** and knowledge of **how all of the objects in our solar system, including planets and their natural satellite(s), are held in orbit around the Sun by its large gravitational pull** to demonstrate an understanding of **systems and system models**.

Technology-Enhanced Item

Drag the images of Earth and the Moon into the correct boxes to model the positions of **both** Earth and the Moon that result in annular and total solar eclipses.

Each image will be used once.

The screenshot shows a digital interface for modeling solar eclipses. At the top left, there is a toolbar with icons for Earth and Moon, and a 'Select' label. Below the toolbar, there is a large oval representing 'Earth's orbit' with a yellow sun icon labeled 'Sun' in the center. To the right of the orbit, there are several empty rectangular boxes for placing Earth and Moon icons. At the bottom center, there is an 'OK' button. A small inset window in the top left corner shows a preview of the interface with a selection box around the Earth icon.

Multi-Dimensional Alignment: While effectively applying the science practice of **developing and using models** by **using models to predict phenomena**, the student demonstrates knowledge of **how the patterns of the apparent motion between Earth, the Moon, and the Sun can be observed and predicted with models**, and **how a model of the solar system can explain eclipses of the Sun and Moon**.

Scoring Information

The screenshot shows the same digital interface as the previous one, but with the Earth and Moon icons placed in the boxes to model an annular solar eclipse. The Sun is in the center of the Earth's orbit. The Earth is positioned on the right side of the orbit, and the Moon is positioned between the Sun and the Earth. The Earth and Moon icons are labeled 'Earth' and 'Moon' respectively. The 'OK' button is at the bottom center.

Multiple-Choice Item

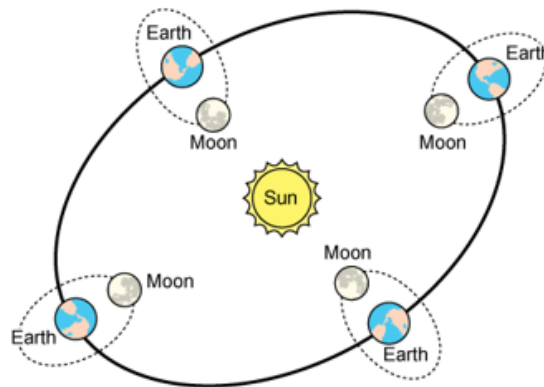
The model in Figure 4 can be used to explain why lunar eclipses are visible from larger areas of Earth, compared to solar eclipses. Which statement **best** explains how Figure 4 helps to explain this phenomenon?

- A. Figure 4 shows that the Sun is larger than Earth, so Earth creates a larger shadow on the Moon.
- B. Figure 4 shows that Earth is larger than the Moon, so the Moon creates a larger shadow on Earth.
- C. Figure 4 shows that Earth is larger than the Moon, so Earth creates a larger shadow on the Moon.*
- D. Figure 4 shows that the Sun is larger than the Moon, so the Moon creates a larger shadow on Earth.

Multi-Dimensional Alignment: The item requires the student to apply the science practice of [developing and using models](#) by [using models to describe phenomena](#) and knowledge of [how the patterns of apparent motion of Earth, the Moon, and the Sun can be predicted with models](#) to demonstrate an understanding of [patterns](#).

Constructed-Response Item

Four positions of the Earth–Moon system that result in a new moon when viewed from Earth are shown in the model.



Note: Not to scale

Use this model and the model in Figure 3 to explain why a solar eclipse does **not** occur at every new moon. Explain how information from the two models and your knowledge of patterns could be combined to predict when a solar eclipse could occur.

Multi-Dimensional Alignment: The item requires the student to apply the science practices of [developing and using models](#) by [using a model to describe phenomena](#) and knowledge of [how the patterns of motion between the Earth, Moon, and Sun can be predicted](#), and [how a model of the solar system can explain eclipses of the Sun and the Moon](#) to demonstrate an understanding of [patterns](#).

Scoring Guide

Scoring Information	
Score	Description
2	Student's response correctly uses the two models to explain why a solar eclipse does not occur at every new moon and correctly explains how information from the two models, along with knowledge of patterns, could be combined to predict when a solar eclipse could occur.
1	Student's response correctly uses the two models to explain why a solar eclipse does not occur at every new moon or correctly explains how information from the two models, along with knowledge of patterns, could be combined to predict when a solar eclipse could occur.
0	Student's response does not correctly use the two models to explain why a solar eclipse does not occur at every new moon or correctly explain how information from the two models, along with knowledge of patterns, could be combined to predict when a solar eclipse could occur.

Sample Response:

The model shows that the Moon is between the Sun and Earth during each new moon. However, the model in Figure 3 shows that the Moon's orbit is tilted, compared to Earth's, so that Earth, the Moon, and the Sun are not in a perfect line at each new moon. To predict when a solar eclipse could occur, ovals could be added to this model to show the tilt of the Moon's orbit, and the points where the Moon's orbit intersects with Earth's orbit could be marked. Since the Moon travels around Earth in a predictable pattern, knowing this pattern can help determine how often the Moon is in a position where the orbits intersect as Earth travels around the Sun.

Accept other reasonable answers

Task Set: Laws of Motion and Bicycle Helmets

Performance Expectations:

6-MS-PS2-1 Apply Newton’s Third Law to design a solution to a problem involving the motion of two colliding objects.

6-MS-PS2-2 Plan an investigation to provide evidence that the change in an object’s motion depends on the sum of the forces on the object and the mass of the object.

Item Type	PE	DCI	SEP	CCC	Points
MC	6-MS-PS2-1	MS.PS2A.a	6. E/S		1
TEI	6-MS-PS2-2	MS.PS2A.b	3. INV		2
MC	6-MS-PS2-2	MS.PS2A.b		S/C	1
TPD	6-MS-PS2-1	MS.PS2A.a; MS.ETS1B.a	6. E/S		2
ER	6-MS-PS2-1; 6-MS-PS2-2	MS.PS2A.a; MS.PS2A.b; MS.ETS1B.a	6. E/S; 3. INV	S/C	9

SEP = blue; DCI = orange; CCC = green An asterisk (*) denotes correct answer(s).

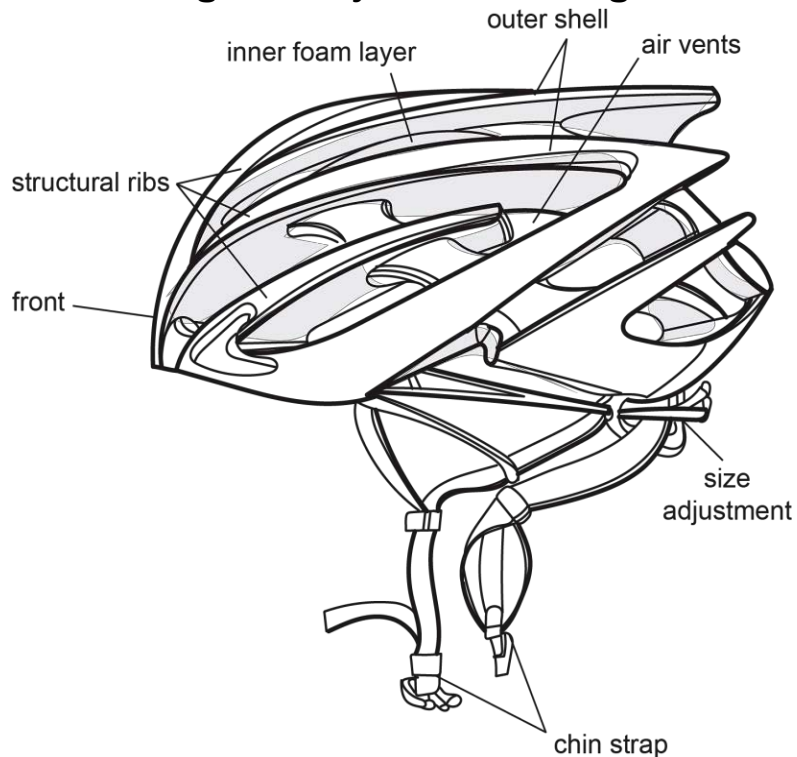
Stimulus Materials

Use the information about laws of motion and bicycle helmets and your knowledge of science to answer the questions.

Laws of Motion and Bicycle Helmets

The main function of bicycle helmets is to prevent head injuries. This is made possible by several design features. Other features that are part of bicycle helmet design are for shape, comfort, vision, and airflow. Figure 1 shows a typical bicycle helmet design.

Figure 1. Bicycle Helmet Design



The hard plastic outer shell can resist an impact and can distribute the force of the impact across the front of the helmet. The inner layer of plastic foam is soft, and it absorbs the remaining force of impact and makes the shock less sudden. The shape of a bicycle helmet reduces friction with the air. Straps for making adjustments provide a comfortable fit. Vents in the helmet are open areas that allow airflow, helping keep the rider's head cooler.

Many of the design features of bicycle helmets are based on Newton's laws of motion. Attempts to reduce the harm caused by a sudden impact are based on the *impulse theorem*, which is an expression of Newton's second law:

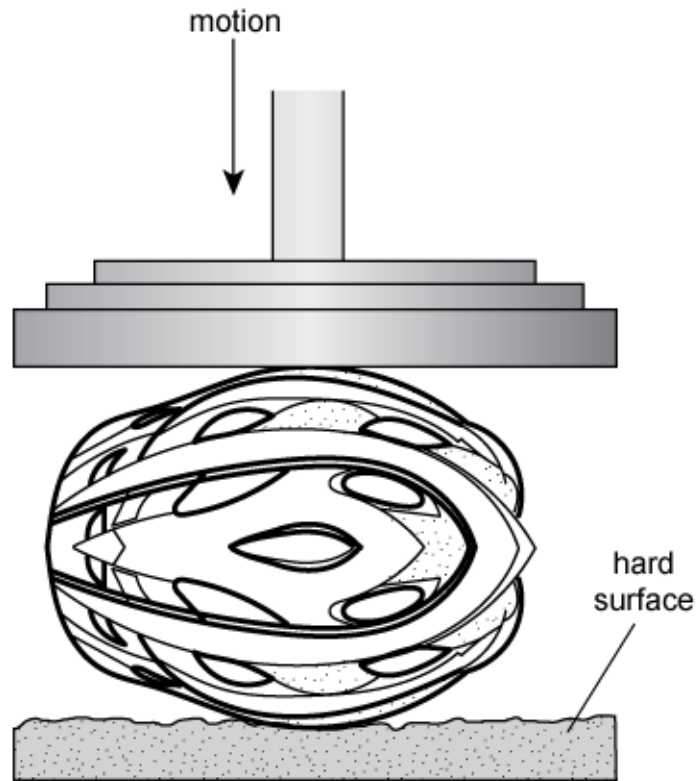
$$F = ma$$

where F is the force exerted on the cyclist's head, m is the mass of the cyclist, and a is the deceleration (negative acceleration) of the cyclist.

Research on how to improve bicycle helmets is ongoing. New materials and designs are being developed to improve helmet safety, comfort, and overall performance.

Multiple-Choice Item

A bicycle helmet company is testing a new helmet design for its ability to withstand impact with a hard road surface. The helmet is placed on a machine that applies downward force to the helmet and causes the helmet to impact a hard surface. The result of the test is shown in the diagram.



Which set of arrows **best** models the strengths and directions of the forces that occur when the helmet impacts the hard surface in this system?



Multi-Dimensional Alignment: While effectively applying the science practice of [constructing explanations](#) by [applying scientific ideas](#), the student demonstrates knowledge of [when two objects collide, the force exerted on each is the same but in opposite directions](#).

Technology-Enhanced Item

When a bicycle helmet is involved in a collision, the outcome is determined by the objects involved in the collision. A bicycle helmet company wants to investigate how objects with different masses affect the outcome of a collision. The company designs an investigation to test the effect of the force exerted on a helmet by different objects.

Complete the table by selecting the boxes to identify the independent, dependent, and control variables for the investigation.

Select **one** box per row.

	Independent	Dependent	Control
Mass of object to be dropped on helmet	<input type="checkbox"/>	<input type="checkbox"/>	<input type="checkbox"/>
Amount of force exerted on helmet	<input type="checkbox"/>	<input type="checkbox"/>	<input type="checkbox"/>
Height of dropped object	<input type="checkbox"/>	<input type="checkbox"/>	<input type="checkbox"/>

Multi-Dimensional Alignment: While effectively applying the science practice of **planning and carrying out investigations** by **selecting the variables for the investigation**, the student demonstrates knowledge of **how the sum of the forces acting on an object changes the object's motion**.

Scoring Information

	Independent	Dependent	Control
Mass of object to be dropped on helmet	<input checked="" type="checkbox"/>	<input type="checkbox"/>	<input type="checkbox"/>
Amount of force exerted on helmet	<input type="checkbox"/>	<input checked="" type="checkbox"/>	<input type="checkbox"/>
Height of dropped object	<input type="checkbox"/>	<input type="checkbox"/>	<input checked="" type="checkbox"/>

Multiple-Choice Item

How does the flexible foam lining inside a bicycle helmet change the outcome of a collision so as to reduce the risk of head injury for a rider?

- by reducing the rider's change in velocity
- by transmitting the force away from the rider's head
- by increasing the time over which force is exerted on the rider*
- by reducing the amount of the rider's mass on which the force acts

Multi-Dimensional Alignment: The item requires the student to apply knowledge of **how the sum of the forces acting on an object change the object's motion** to demonstrate an understanding of **stability and change**.

Two-Part Dependent Item (Part A: Multiple-Choice Item, Part B: Multiple-Select Item)

Part A

In high-speed road races, the shape and weight of a bicycle helmet are important. Engineers want to change the design of a road-racing helmet to be more suitable for off-road mountain bike races, where speeds are much lower but crashes are more frequent.

Which change should the engineers make to adapt the helmet?

- A. Make the inner lining thinner.
- B. Make the design more aerodynamic.
- C. Make the chin strap easier to remove.
- D. Make the hard plastic outer shell thicker.*

Part B

Which statements **best** support the answer to Part A?

Select **all** that apply.

- A. More ventilation is needed at lower speeds.
- B. Wind resistance is less important at lower speeds.*
- C. Injuries are reduced if the chin strap unbuckles quickly.
- D. An aerodynamic design is more important at lower speeds.
- E. Spreading forces over a larger area reduces risk of skull fracture.*

Multi-Dimensional Alignment: While effectively applying the engineering practice of [designing solutions](#) by [applying scientific principles to construct an object](#), the student demonstrates knowledge of [how, when two objects collide, the force exerted on each is the same but in opposite directions](#), and [how a solution needs to be tested and evaluated to ensure it is valid](#).

Extended-Response Item

A bicycle helmet company designs new cycling helmets for a bicycle racing team. The company will test and modify the new helmet design using two criteria:

- **Criterion 1:** minimize head injury in the event of a crash (safety, most important)
- **Criterion 2:** have the least effect on a rider’s maximum speed (speed, second-most important)

As you respond to Part A and Part B, follow the directions below.

- Address all of the instructions in each prompt.
- Use evidence from the information provided and your own knowledge of science to support your responses.

Part A

Describe how the company should test the new helmets to determine how the new helmets meet each criterion. In your description, answer four questions as they relate to **each** criterion:

- Which part of the helmet design would you test (see Figure 1)?
- How would you carry out the test?
- What is the dependent variable in your test?
- What forces are involved in the test?

Be sure to address **both** criteria when answering each question.

Part B

Explain how you would apply the results of the tests you described in Part A to modify the helmet design to better meet **each** criterion.

Multi-Dimensional Alignment: The item requires the student to apply the science and engineering practices of constructing explanations and designing solutions by applying scientific ideas to design and test an object and planning investigations by identifying the design, including variables, tools, measurements and knowledge of: how, when two objects collide, the force exerted on each is the same but in opposite directions; how a solution needs to be tested and evaluated to ensure it is valid; and how the sum of the forces acting on an object change the object’s motion to demonstrate an understanding of stability and change.

Score Points

An ER item may contain a single part or multiple parts. For multiple-part items: the student’s score is the sum total of all the points earned across all parts (up to an item-maximum of 9 points) of the item. No response (blank) or a response that does not address the prompt earns 0 points.

Part A (8 points maximum)

- 2 points: 1 point each for answer to part of the helmet design to test for each criterion
- 2 points: 1 point each for answer to how to carry out the test for each design criterion
- 2 points: 1 point each for identifying the independent variable for each criterion test
- 2 points: 1 point each for describing the forces involved in each criterion test

Part B (1 point maximum)

- 1 point for explanation of change

Sample Response:

Part A:

Test different thicknesses and materials for the shell and inner foam (minimizing head injuries) and test different helmet shapes in a wind tunnel (maximizing speed). Put the helmet on a test dummy and crash it into a wall at different speeds for each combination of thickness and material. Then, increase the speed until the helmet cracks (minimizing head injuries). Measure the amount of force needed to keep the helmet from moving in a high wind at a given wind speed. Repeat for each design, recording the force for each (maximizing speed). The dependent variables would be the highest speed at which the helmet does not fail (minimizing head injuries) and the force of air resistance (maximizing speed). The forces involved are the force that the helmet exerts on the wall and the force that the wall exerts on the helmet (minimizing head injuries), and the force that air exerts on the helmet and the force that the helmet exerts on the air (maximizing speed).

Accept any other plausible explanation of how the company should test the new helmets to meet each criterion identified. Also accept force of head on lining and force of lining on head.

Part B:

I would compare the helmet materials of the new design to those of other designs for the crash test and modify by adjusting the padding and outer plastic layer to ensure that they adequately protect the rider without being bulky. I would use the shape of the helmet that had the least air resistance, and/or enlarge holes in the plastic up until they become too large to adequately protect the rider.

Resources

Assessment Guidance Library

- [Assessment Development Educator Review Committees](#): describes the item development process and the associated committees, includes information on applying for participation

Practice Test Library

- [LEAP Science Grade 6 Practice Test Answer Key](#): helps prepare students for the spring assessment, includes answer keys, scoring rubrics, and alignment information
- [LEAP Science Practice Test Guidance](#): provides guidance on how teachers might better use the practice tests to support their instructional goals
- [Practice Test Quick Start Guide](#): provides information regarding the administration and scoring process needed for the online practice tests

Assessment Library

- [2024-2025 Louisiana Assessment Calendar](#): includes information on testing windows for test administrations
- [Grade 6 Science Achievement Level Descriptors](#): contains descriptions of the knowledge, skills, and processes that students demonstrate with relative consistency and accuracy at each level of achievement
- [LEAP Accessibility and Accommodations Manual](#): provides information about accessibility and accommodations
- [LEAP Technology Enhanced Item Types](#): provides a summary of technology enhanced items

EAGLE: instructional resources in grade-level documents that teachers can download and incorporate into their daily instruction; contact school test coordinator to access files

DRC INSIGHT Portal:

- includes access to tutorials, manuals, and user guides

- LEAP Science Grade 6 Practice Test: helps prepare students for the spring assessment
- Online Tools Training: allows students to become familiar with the online testing platform and its available tools; also available through this [link](#) using the Chrome browser

K-12 Science Planning Resources Library

- [K-12 Louisiana Student Standards for Science \(2017\)](#): provides the performance expectations and three-dimensional learning for all grades
- [Planning Guide for Science Instruction](#): assists educators in planning with high quality curriculum
- [Grade 6 Louisiana Guide to Implementing IQWST](#): assists teachers with the implementation of IQWST
- [Grade 6 Louisiana Guide to Implementing OpenSciEd](#): assists teachers with the implementation of OpenSciEd
- [Grade 6 Louisiana Guide to Implementing Activate Learning](#): assists teachers with the implementation of Activate Learning
- [Grade 6 Louisiana Guide to Implementing Amplify](#): assists teachers with the implementation of Amplify

Contact the LDOE

- assessment@la.gov for assessment questions
- classroomsupporttoolbox@la.gov for curriculum and instruction questions
- [AskLDOE](#) for general questions
- ldoecommunications@la.gov to subscribe to newsletters; include the newsletter(s) you want to subscribe to in your email

Newsroom: archived copies of newsletters including LDOE Weekly School System Newsletters and Teacher Leader Newsletters

October 2024

Louisiana Department of Education

doe.louisiana.gov | P.O. Box 94064 • Baton Rouge, LA • 70804-9064

Updates Log

The table below lists any updates made to this document after the original post date.

Available	Description of Updates
October 2024	Document original posting for 2024-2025

Email assessment@la.gov with any questions or comments about this assessment guide.